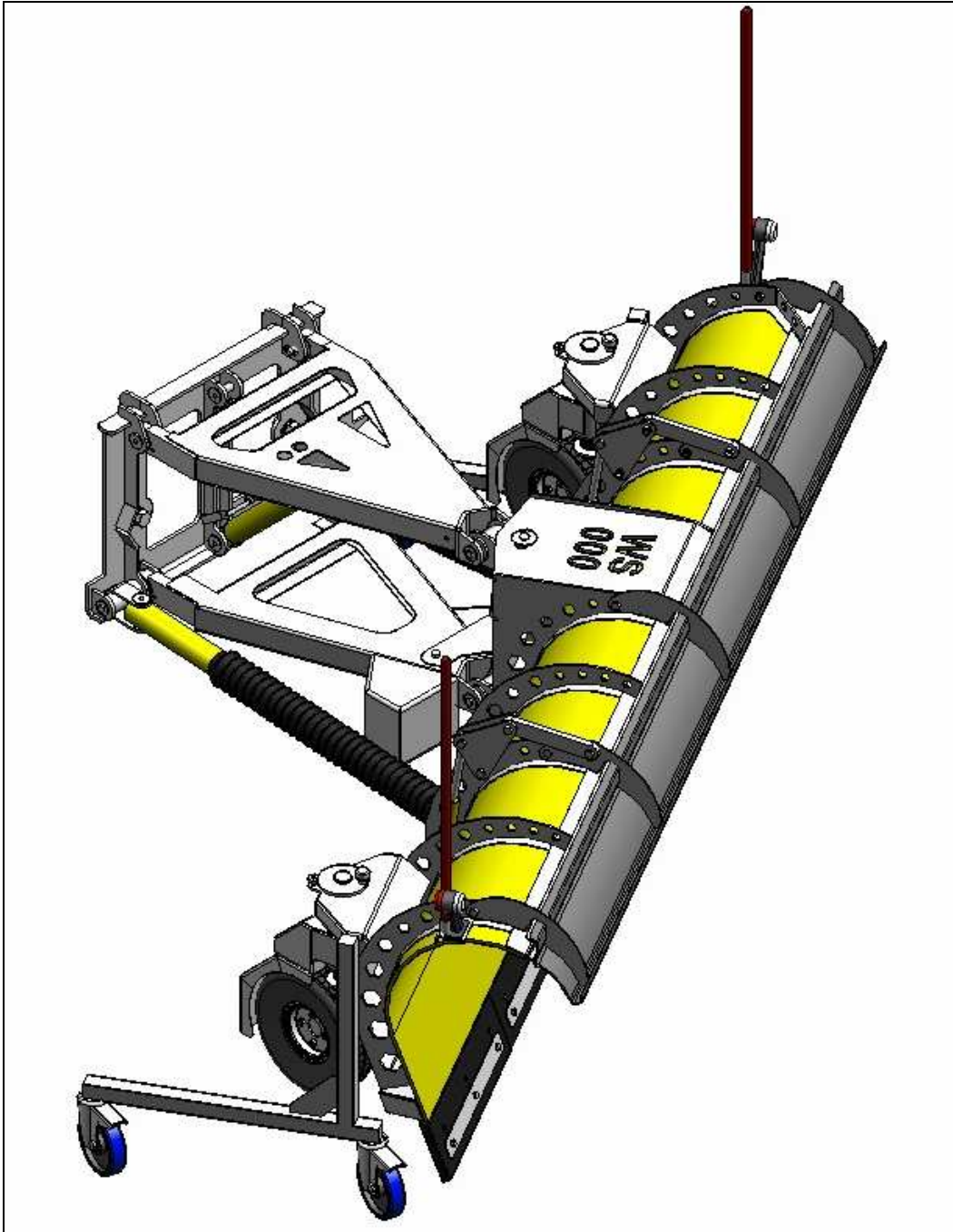


Ultima Snow Plough



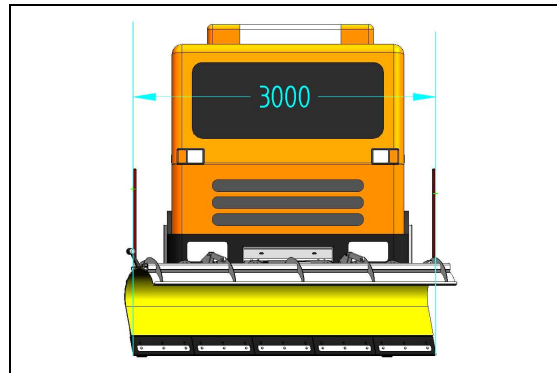
Snow Plough Type-A

3m Plough clearing width, 2.5m retracted width

Front views of Snow Plough Type-A

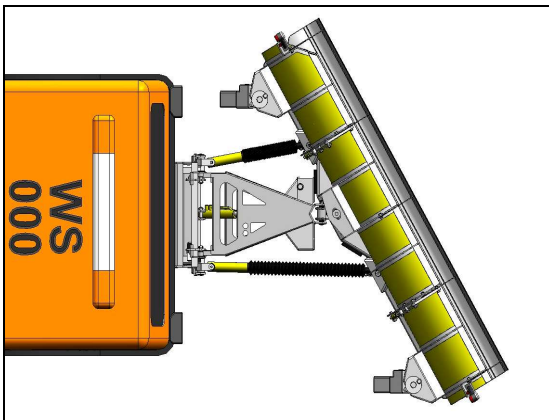


Folded at 48° for transport 2.5m wide

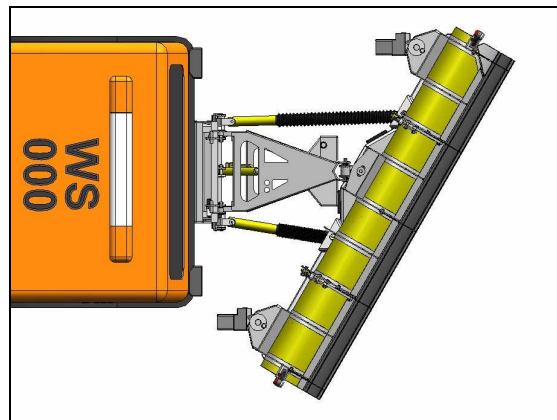


Ploughing at 30° 3m clearing width

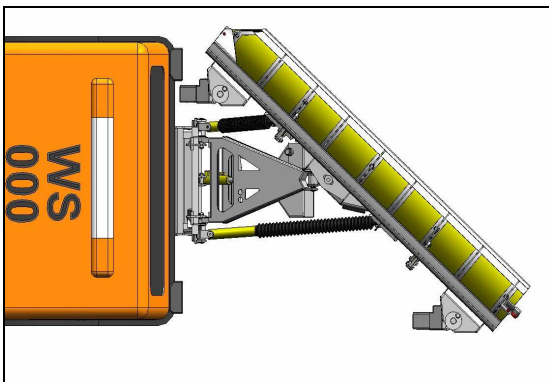
Top Views of Snow Plough Type-A



Ploughing at 30° 3m clearing width

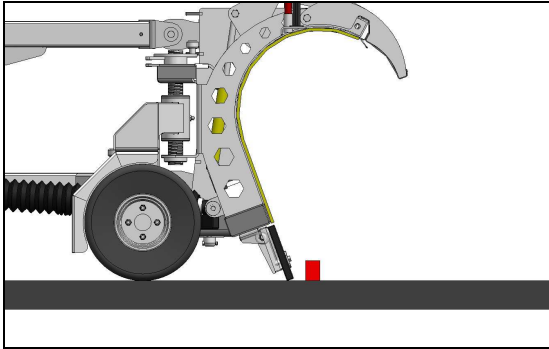


Ploughing at -30° 3m clearing width

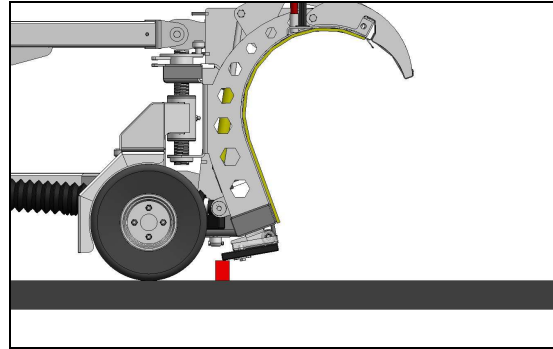


Folded at 48° for transport 2.5m wide

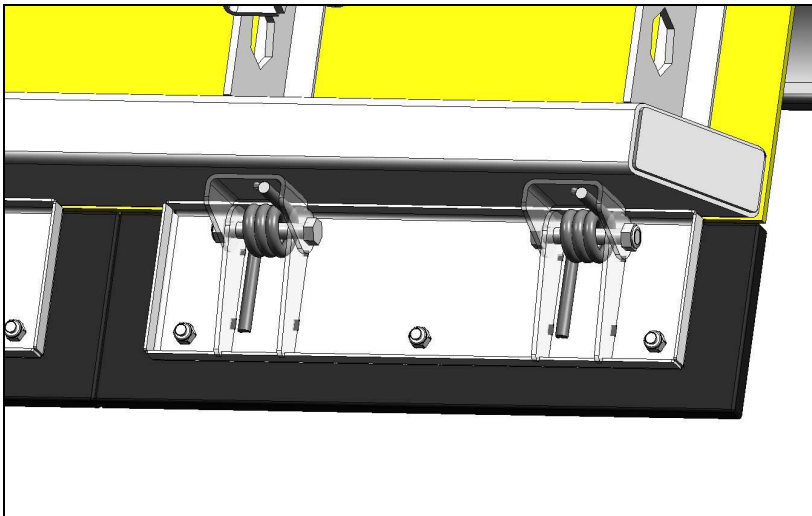
Plough Rubber Trip Plates



Plough before an obstacle

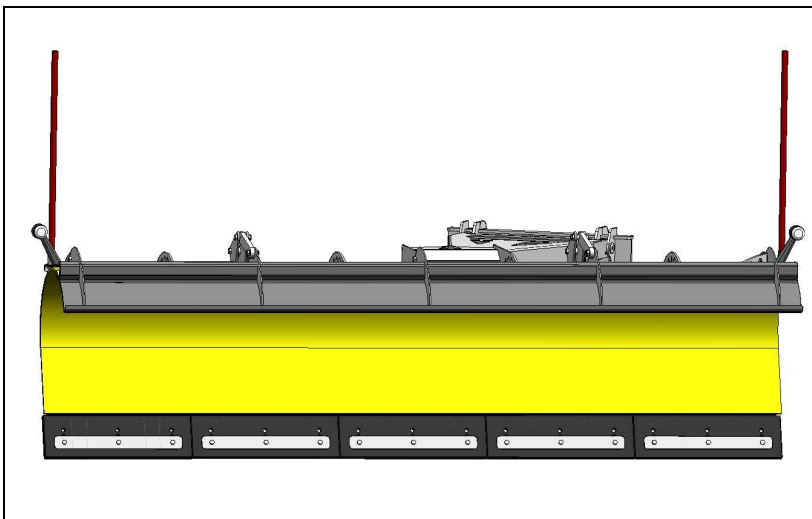


Trip plate folding due to obstacle



Rear view of trip plate showing springs

Plough trip plate uses two stainless steel springs and all stainless steel fasteners per unit



5 individual trip plates per plough